

DRINKS | Drink Cabinets

DRINK COOLER ▶ DC LINE ▶ HINGED DOORS ▶ BLACK



DC 1050CB

CUSTOMIZATION AVAILABLE
PERSONALIZZAZIONE DISPONIBILE

45 mm	M2 -1°C +7°C	B ENERGY CLASS	3 +25°C/60RH
LED			GAS R290

DETAILS

Bottom hole for easily clean and dry the item	Ventilated unit	Inner LED light
Lock fitted as standard		

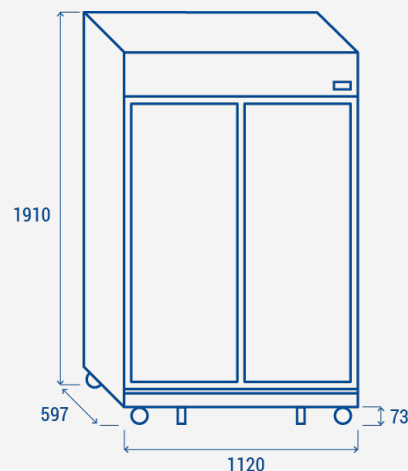
GENERAL FEATURES

- 1050 Lt. Total view drink cooler with advertising panel
- Black coated steel for internal and external side
- Ventilated Cooling
- Automatic compressor cycle defrost
- Foaming Agent Cyclopentane (45mm per side)
- Digital Thermostat
- Removable Gasket
- Independent switch for internal light and canopy
- Toughened safety glass
- Anti-condensation double layer glass
- Self closing door and lock fitted as a standard
- Adjustable shelves: 10 Pcs
- N.4 Wheels for easy positioning + N.2 feet anti-tilted
- Energy efficiency class: B

TECHNICAL SPECIFICATIONS

Capacity	805 L
Temperature	M2 (-1°C-+7°C)
Consumption	3.5 kWh/24h
Rated Power	450W
Noise level	58 dB(A)
Net Weight	130.00 Kg
Gross Weight	140.00 Kg
External Dimensions (WxDxH mm)	1120x597x1983
Internal Dimensions (WxDxH mm)	1030x480x1805
Packaging dimensions (WxDxH mm)	1175x650x2020
Loading quantities 20'/40'/40'HQ	18/36/36

PRODUCT DIMENSIONS



CERTIFICATION

CE RoHS

